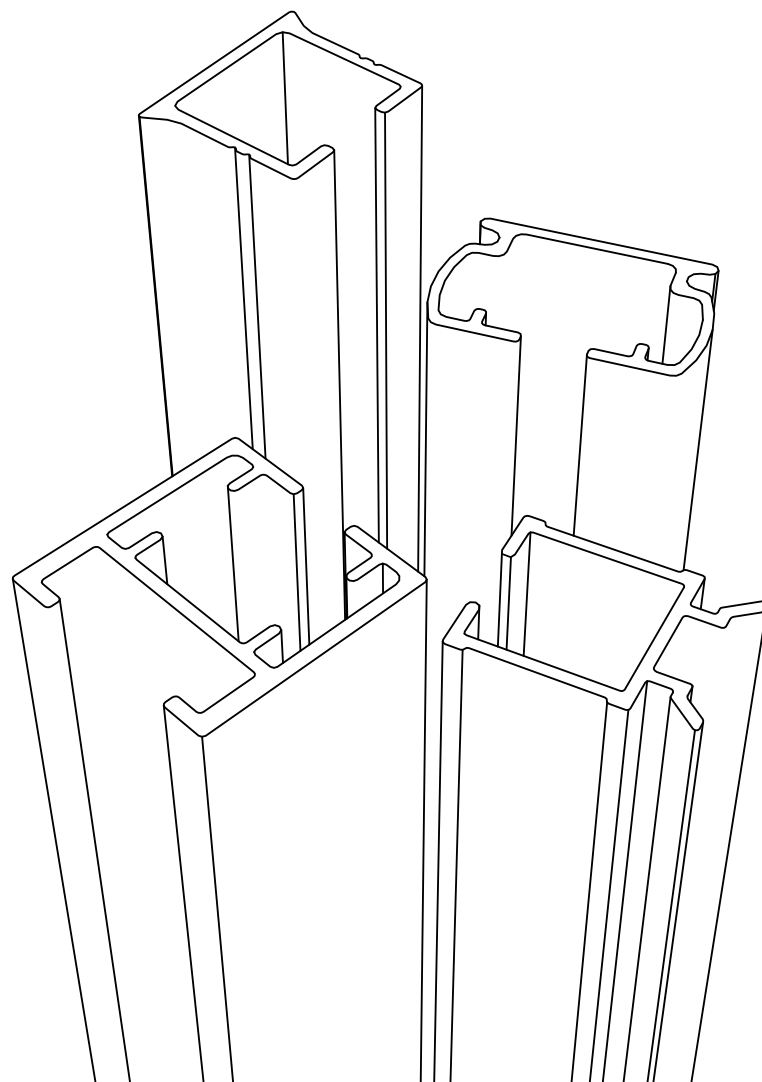


# WINDOW CURTAIN TRACK SYSTEMS

---



## Table of Specifications

### How to Measure for DPFH Curtian Track Systems?

**Heavy Track**  
All Accessories

**Power Track**  
All Accessories

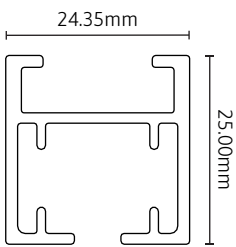
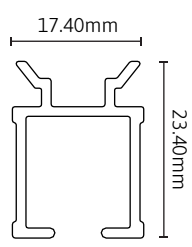
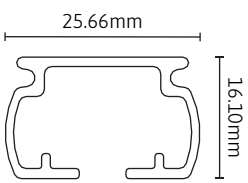
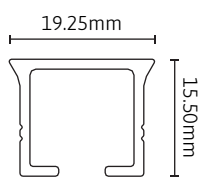




**M-Track**  
All Accessories

**C-Track**  
All Accessories

**Bracket Fittings**  
Ceiling + Wall

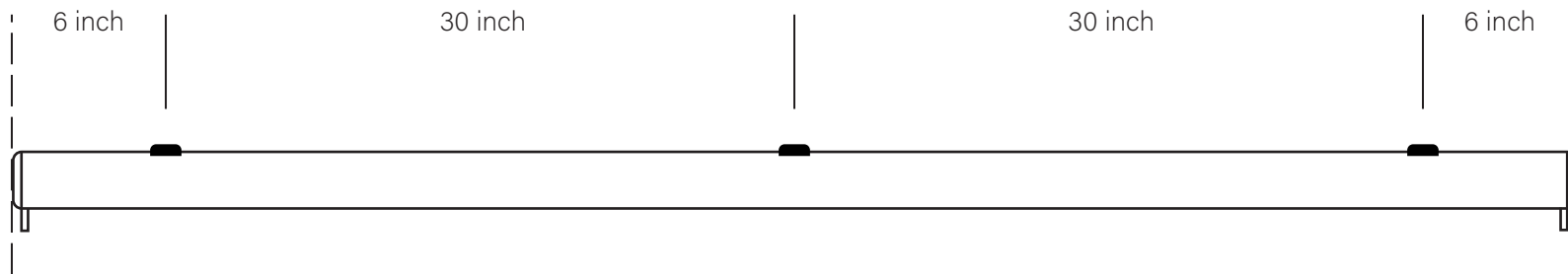
**Optional Parts**

**Other Accessories**

Track		HEAVY TRACK	POWER TRACK	M-TRACK	C-TRACK
Profile					
Channel Length	4.58m	4.58m	4.58m	4.58m	
Colors					
Weight Per Channel	1.928 kg	1.163 kg	1.136 kg	0.861 kg	
Bracket Options	Wall Mount	●	●	●	●
	Ceiling Mount	●	●	●	●
	2-Track Wall Mount: – For Pleat Curtains	●	●	●	●
	– For Wave Curtains	●	●	●	●
Glider Options	Standard Pleat Runner	●	●	●	●
	Ripple Runner: – Roller Ripple Runner	●	●		
	– Friction Ripple Runner			●	●
Curtain Weight Capacity (Per M.)	11 - 13 kgs	07 - 09 kgs	07 - 09 kgs	03 - 05 kgs	

# HOW TO MEASURE

Suppose the illustrated track length to be 6ft.  
 For Bracket measurements, leave 6 inch space from each ends and then each bracket at equal intervals for optimal weight distribution.



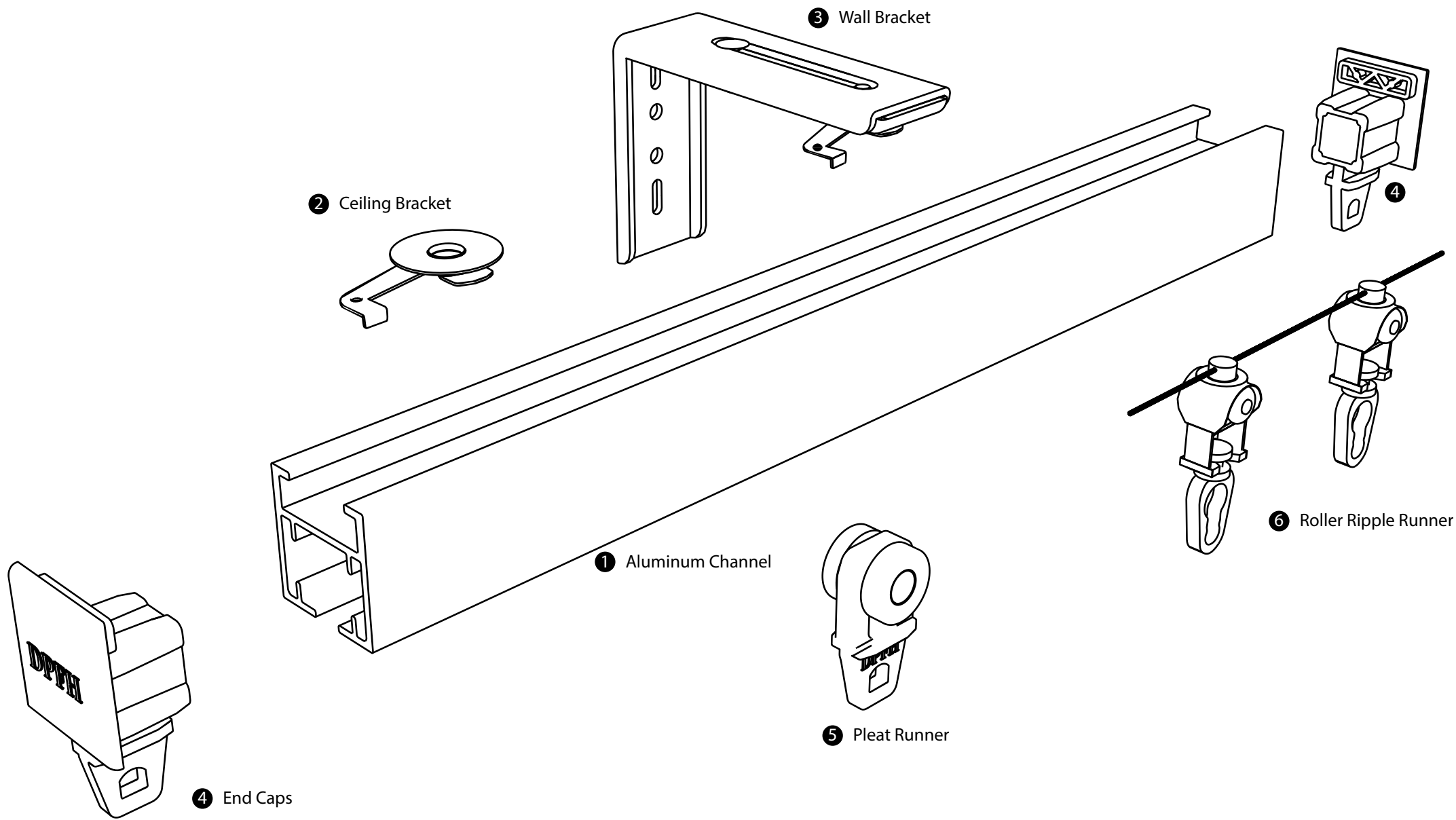
Case:  
 Track Length: 6ft (72")  
 Number of Brackets required = 3  
 Step 1: For the first and last brackets, leave 6" space from the ends.  
 Step 2: Remaining space divided by number of brackets left x 2 .i.e.  $60'' \div (1*2) = 30''$   
 Mark 30" from the First and Last bracket to find the center.

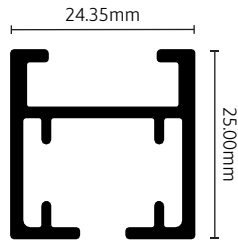
**\*Company Standards:**

Number of Bracket for Wall Installations - 6 Brackets for 15ft. Channel  
 Number of Bracket for Ceiling Installations - 8 Brackets for 15ft. Channel

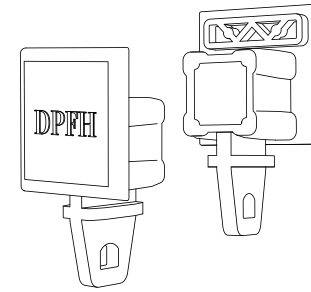
Channel Length (in ft.)	Number of Wall Mounts Required	Number of Ceiling Mounts Required
1	2	2
2	2	2
3	2	2
4	2	3
5	2	3
6	3	3
7	3	4
8	3	4
9	4	4
10	4	5
11	5	6
12	5	6
13	6	7
14	6	7
15	6	8

# HEAVY TRACK

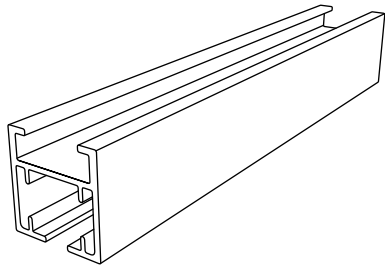




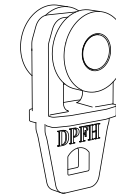
Profile: 24.35mm(W) x 25.00mm (H)



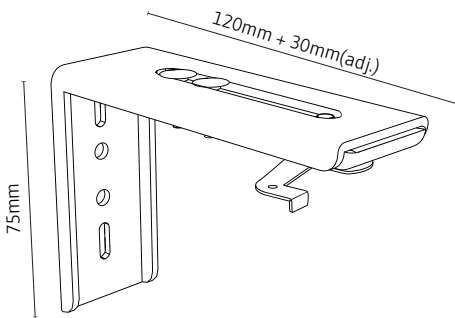
End Caps: "Screw-less" perfect fit end stops, made of POM Plastic.  
**H004**



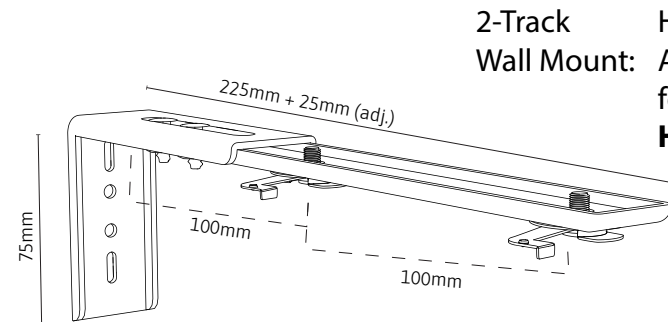
Channel: Powder Coated, Extruded Aluminum of 4.58m. (15') length.  
**H001**



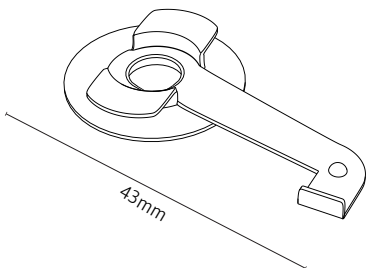
Runner: POM Plastic Moulded, standard pleat runners.  
**H005**



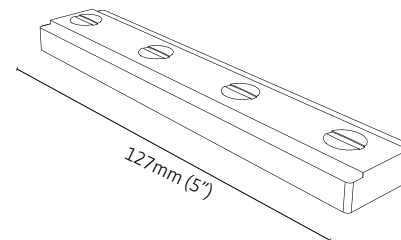
Wall Mount: Heavy-duty Adjustable Wall Bracket.  
**H002**



2-Track Wall Mount: Heavy-duty, Powder Coated, Adjustable Double Track Holder for Wall fittings.  
**H006**

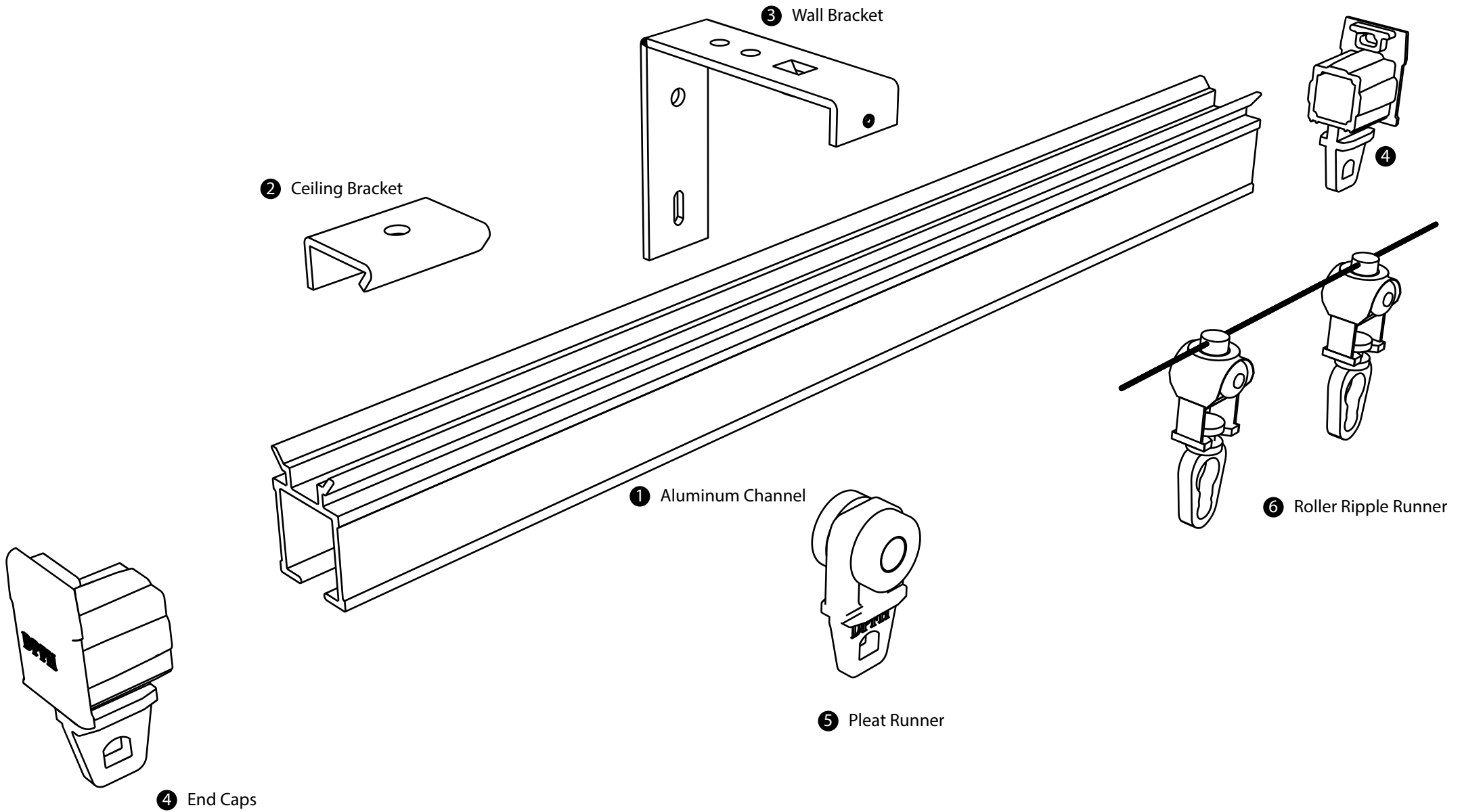


Ceiling Mount: Powder Coated Metal Swivel Bracket for Ceiling Installation.  
**H003**

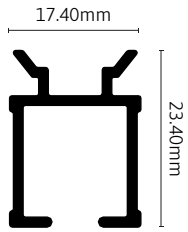


Heavy Track Joiner: Join Two Separate Channels to make a One Long Piece for Window Length Exceeding 15'.  
**H008**

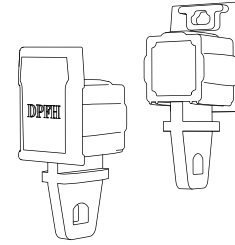
# POWER TRACK



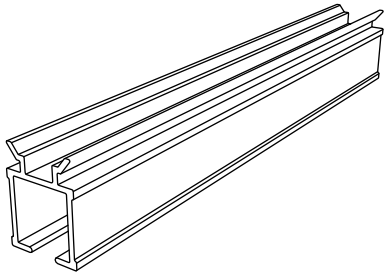




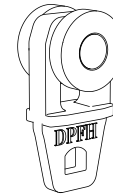
Profile: 17.40mm(W) x 23.40mm (H)



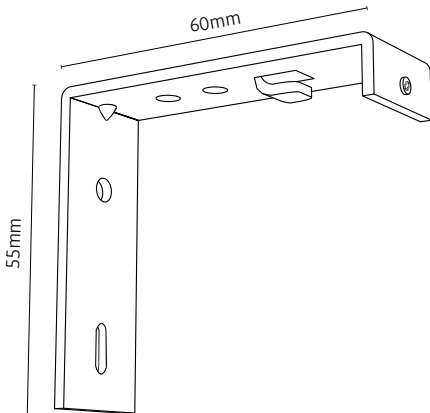
End Caps: "Screw-less" perfect fit end stops, made of POM Plastic.  
**P004**



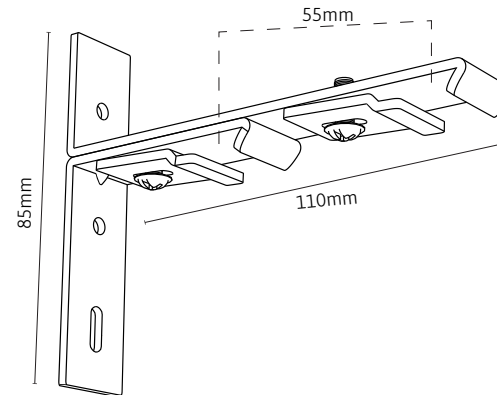
Channel Powder Coated, Extruded  
Length: Aluminum of 4.58m. (15')  
length.  
**P001**



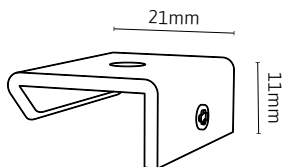
Runner: POM Plastic Moulded, standard  
pleat runners.  
**P005**



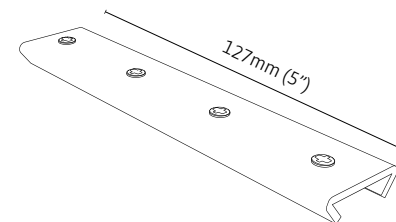
Wall L-Type Wall Bracket.  
Mount: **P002**



2-Track Clip Support 2-Track  
Wall Mount: Wall Mount for all  
non-wave type of curtains.  
**P006**

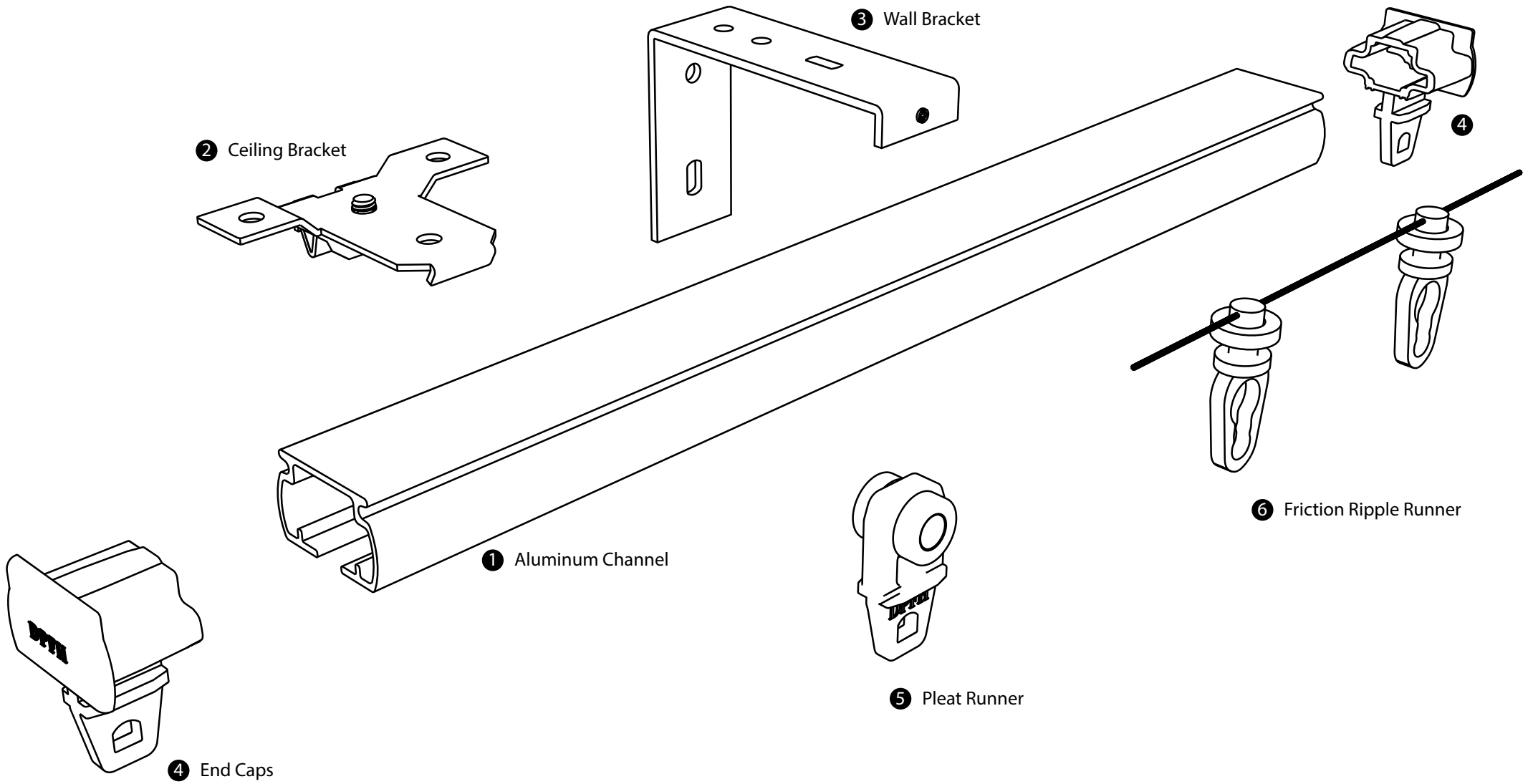


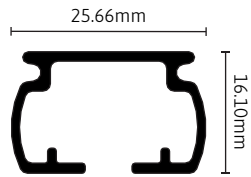
Ceiling Powder Coated Easy to Install  
Mount: Compact Ceiling Bracket.  
**P003**



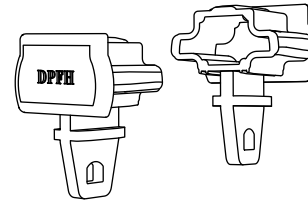
Power Track Join Two Separate Channels  
Joiner: to make One Long Piece for  
Window Length Exceeding 15'.  
**P008**

# M-TRACK

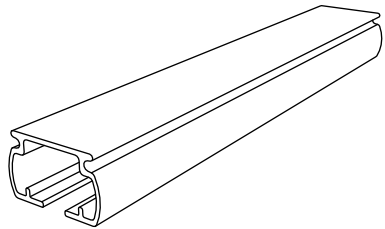




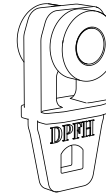
Profile: 25.66mm(W) x 16.10mm (H)



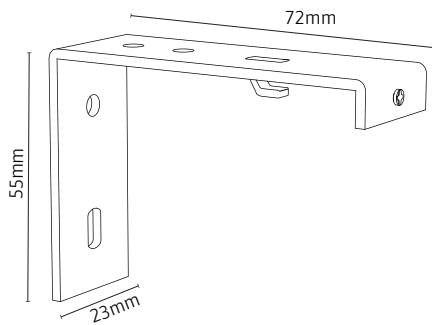
End Caps: "Screw-less" perfect fit end stops, made of POM Plastic.  
**M004**



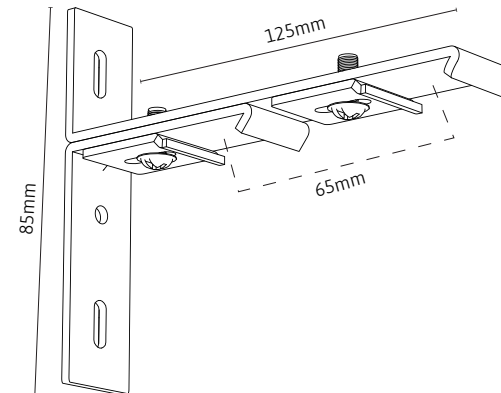
Channel Powder Coated, Extruded Aluminum of 4.58m. (15') length.  
**M001**



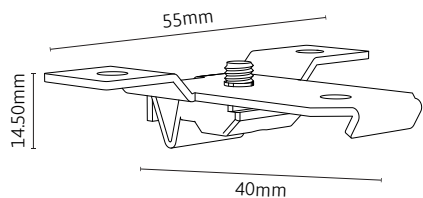
Runner: POM Plastic Moulded, standard pleat runners.  
**M005**



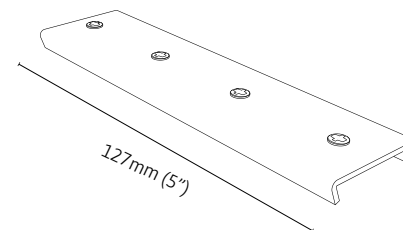
Wall Mount: L-Type Wall Bracket.  
**M002**



2-Track Wall Mount: Powder Coated Clip-Type 2-Track Wall Bracket.  
**M006**



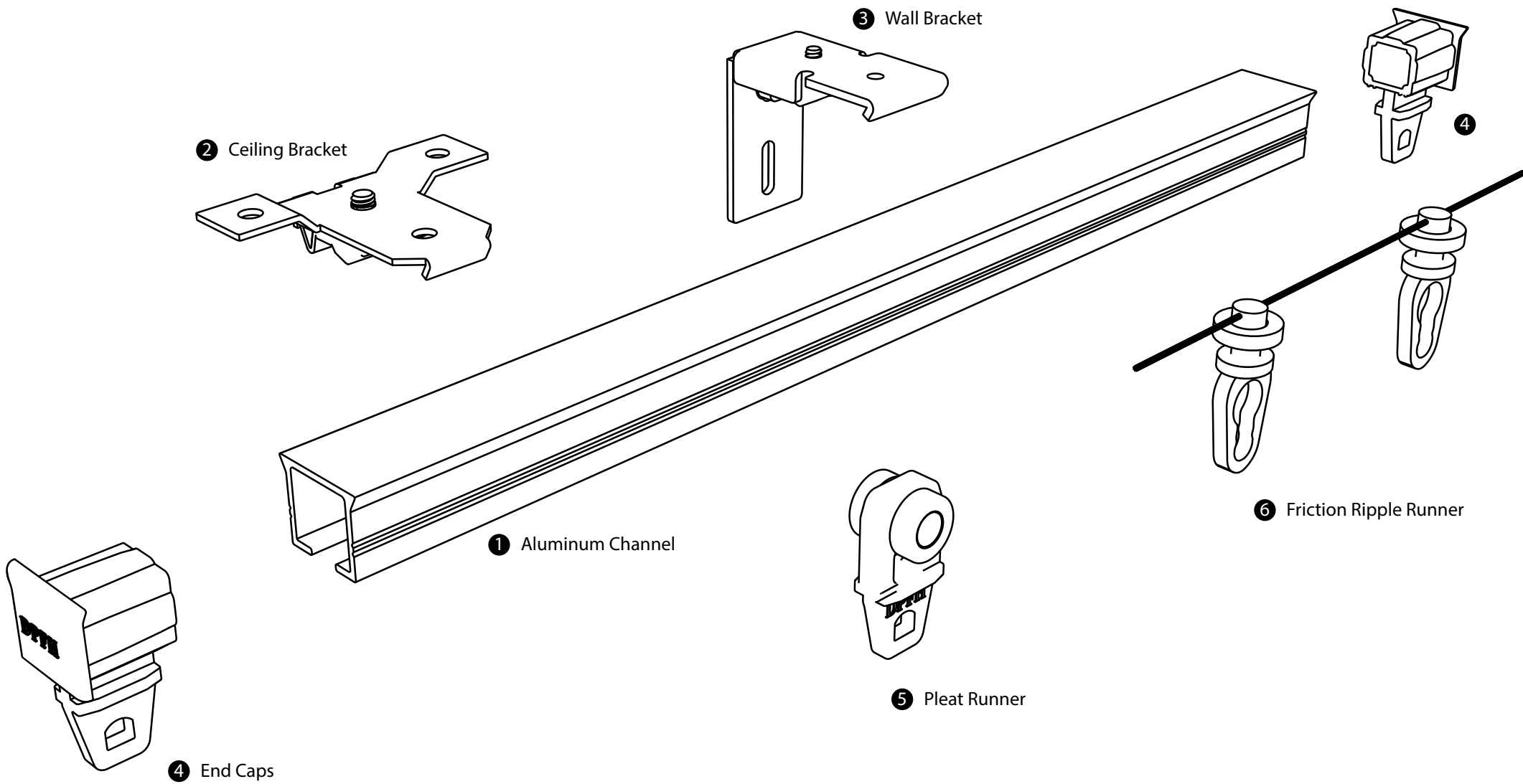
Ceiling Mount: Click System Ceiling Bracket  
**M003**

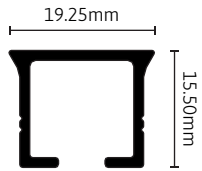


M-Track Joiner: Join Two Separate Channels to make One Long Piece for Window Length Exceeding 15'.  
**M011**

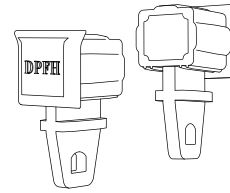
\*Click System Wall Mounting Available. (See "Optional Parts")

# C-TRACK

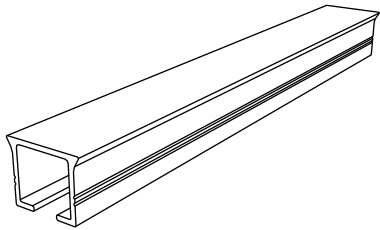




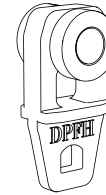
Profile: 19.25mm(W) x 15.50mm (H)



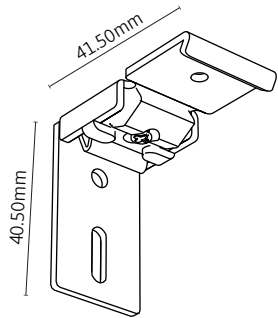
End Caps: "Screw-less" perfect fit end stops, made of POM Plastic.  
**C004**



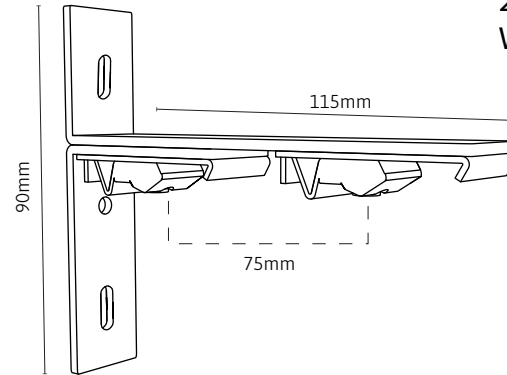
Channel Powder Coated, Extruded Aluminum of 4.58m. (15') length.  
**C001**



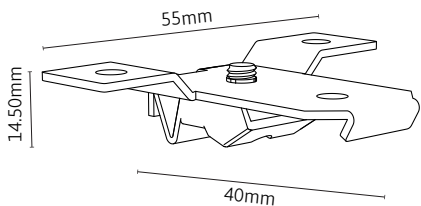
Runner: POM Plastic Moulded, standard pleat runners.  
**C005**



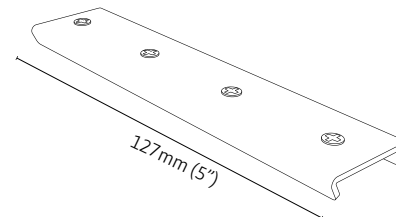
Wall Mount: Click System Wall Bracket  
**C002**



2-Track Wall Mount: Powder Coated Click System 2-Track Wall Bracket.  
**C006**



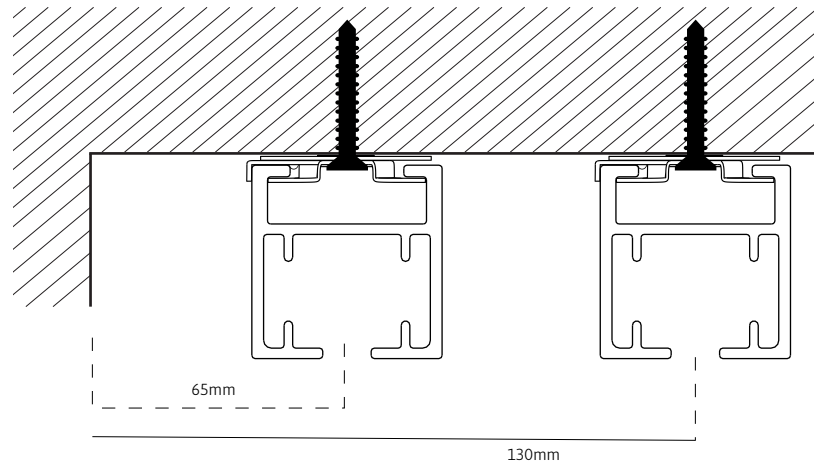
Ceiling Mount: Click System Ceiling Bracket  
**C003**



C-Track Joiner: Join Two Separate Channels to make One Long Piece for Window Length Exceeding 15'.  
**C008**

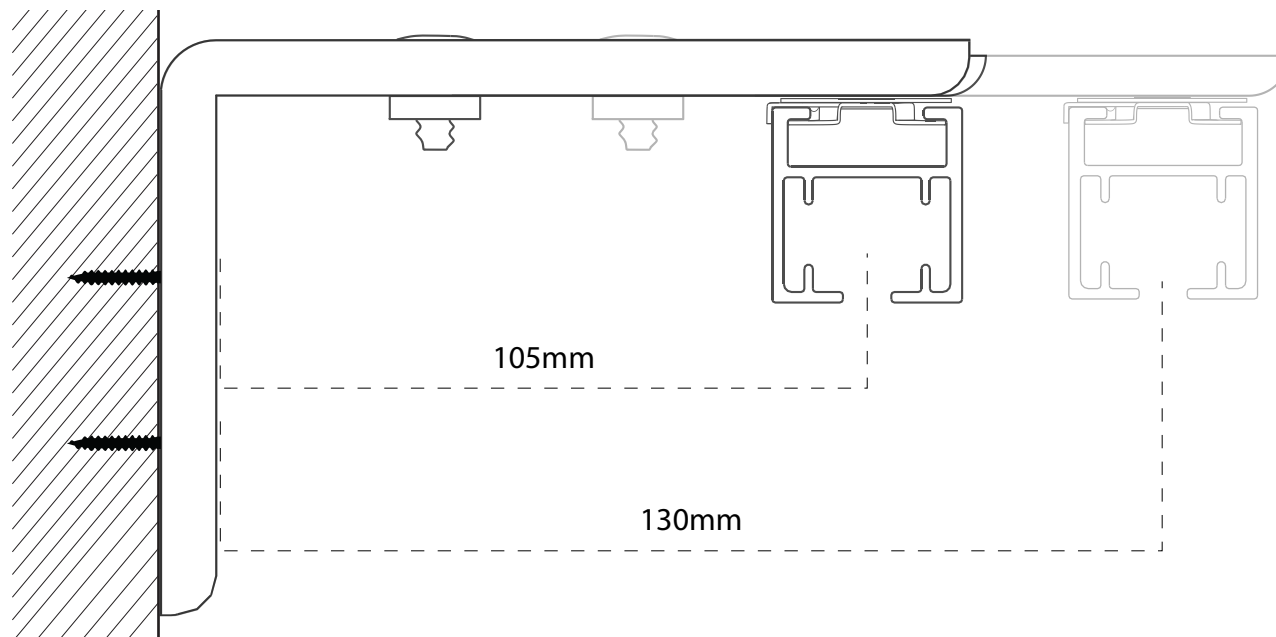
\*Click System Wall Mounting Available. (See "Optional Parts")

# FITTINGS: HEAVY TRACK



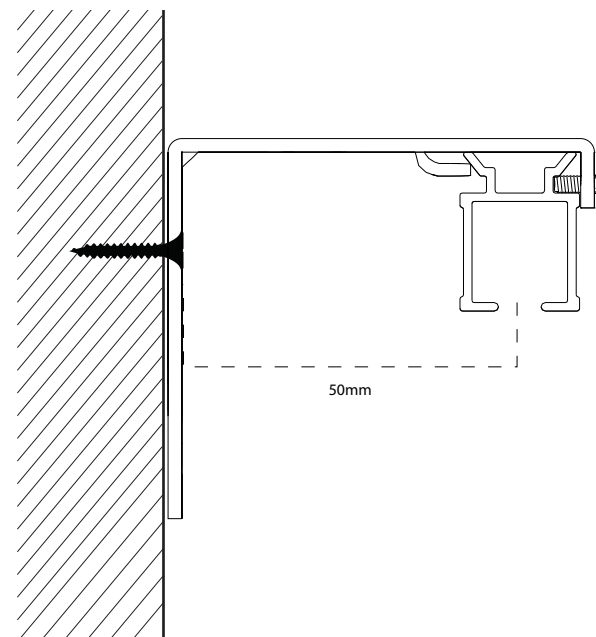
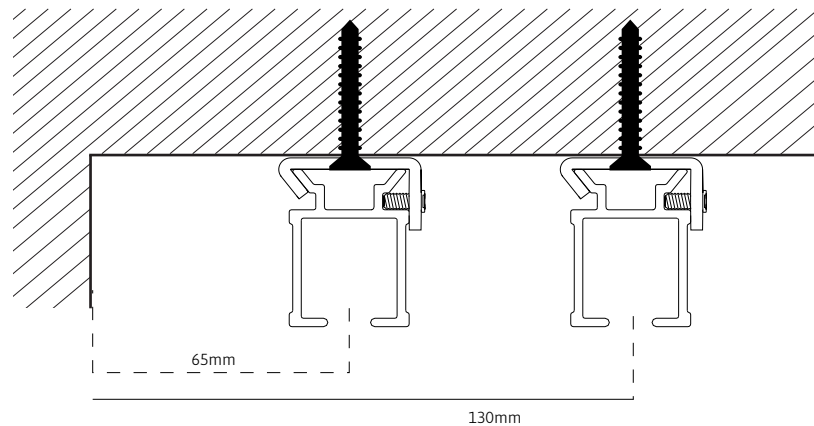
Heavy Track Ceiling  
Mount (H003)  
24mmx43mm

To secure the channel tightly,  
spin or push the clip inside.

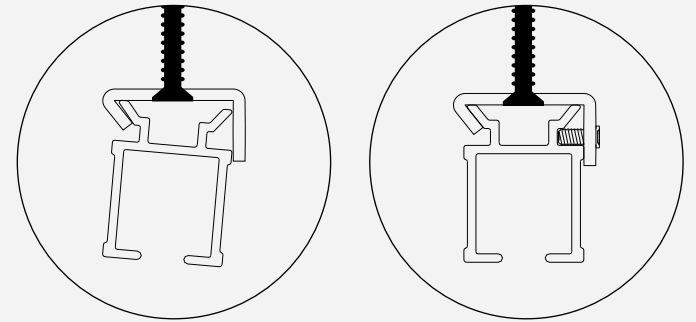


Heavy Track Wall  
Mount - Adjustable (H002)  
120mmx75mm

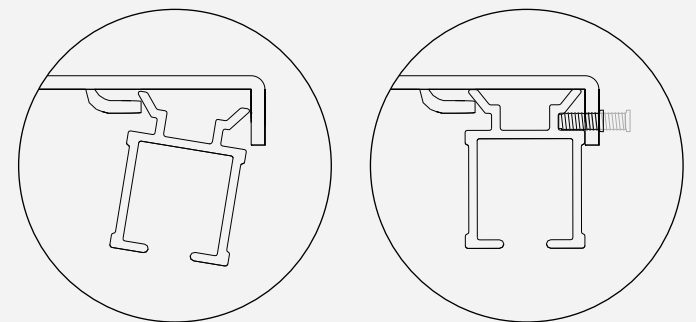
# FITTINGS: POWER TRACK



Power Track Ceiling Mount (P003)  
21mmx11mm

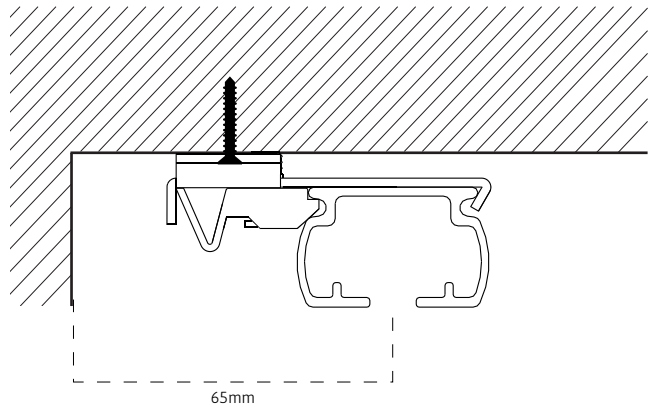


Slide the Channel from the back  
and secure it with the front screw.

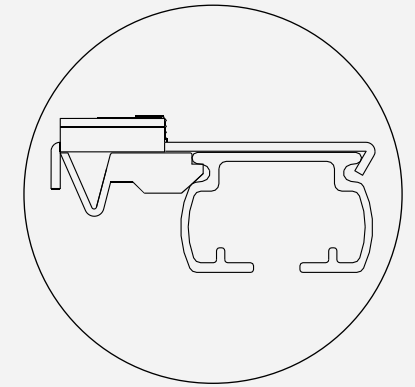
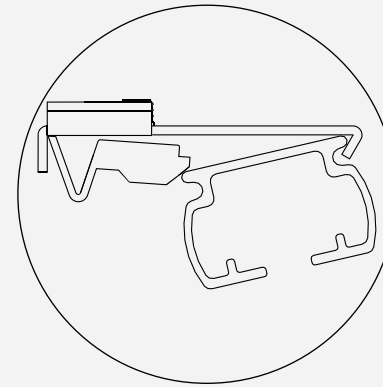


Power Track Wall Mount (P002)  
60mmx55mm

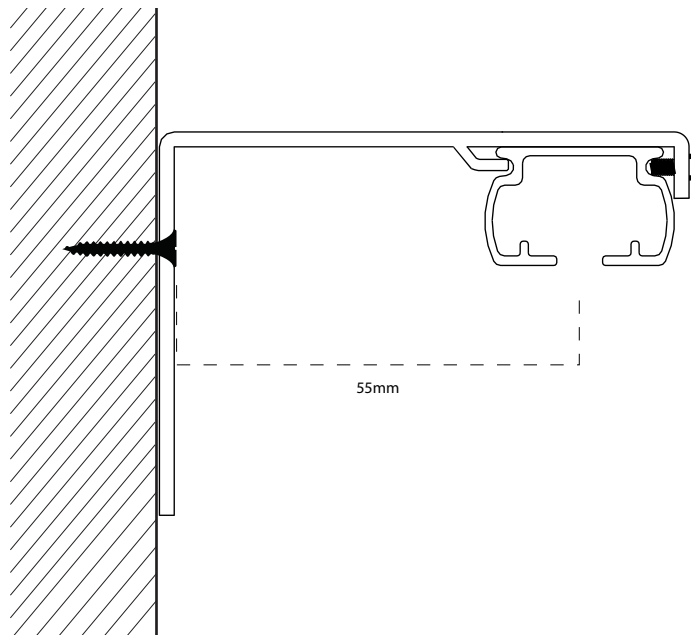
# FITTINGS: M-TRACK



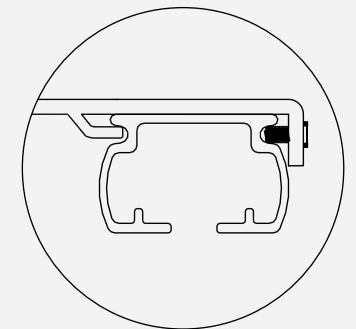
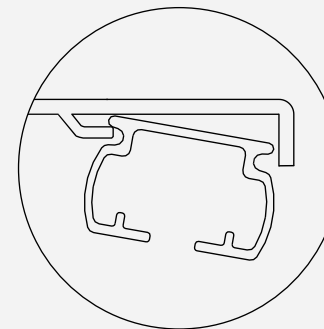
M-Track Click System  
Ceiling Mount (M003)  
55mmx40mm



Loosen the plastic part, then insert the channel from the front and push it inside.  
Tighten the plastic part screw to ensure a secure fit.



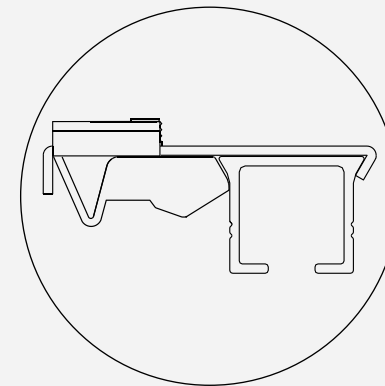
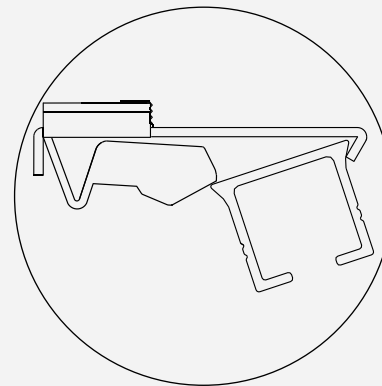
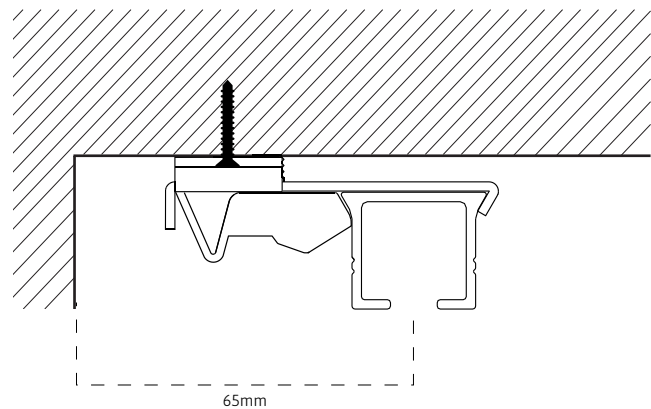
M-Track Wall Mount (M002)  
72mmx55mm



Slide the Channel from the back  
and secure it with the front screw.

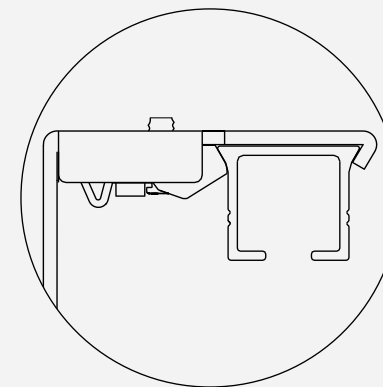
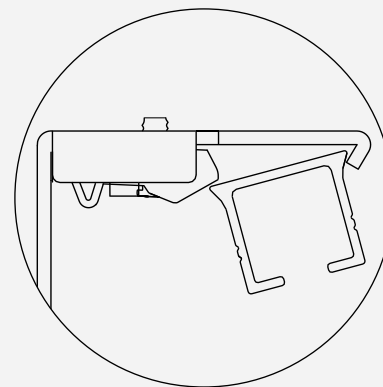
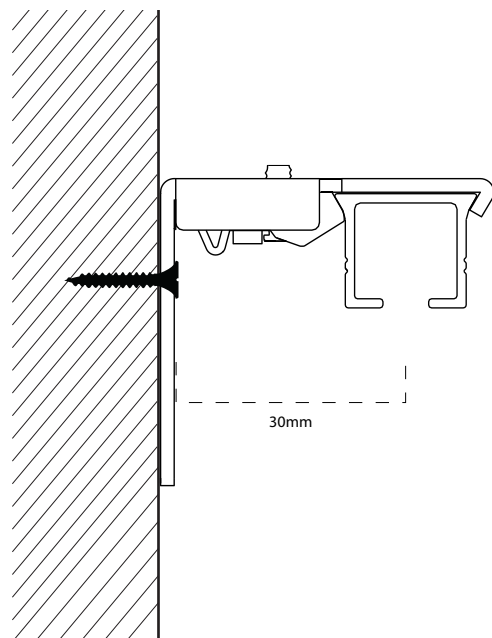


# FITTINGS: C-TRACK



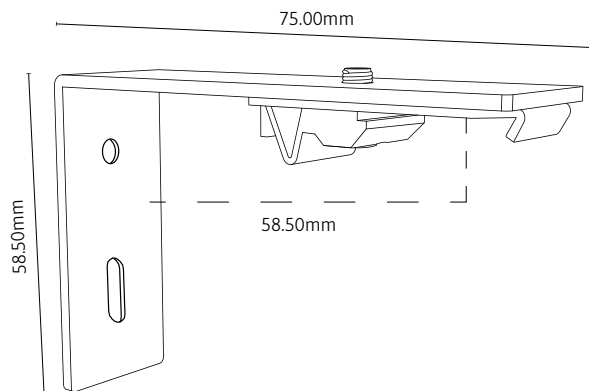
C-Track Click System  
Ceiling Mount (C003)  
55mmx40mm

Loosen the plastic part, then insert the channel from the front and push it inside.  
Tighten the plastic part screw to ensure a secure fit.

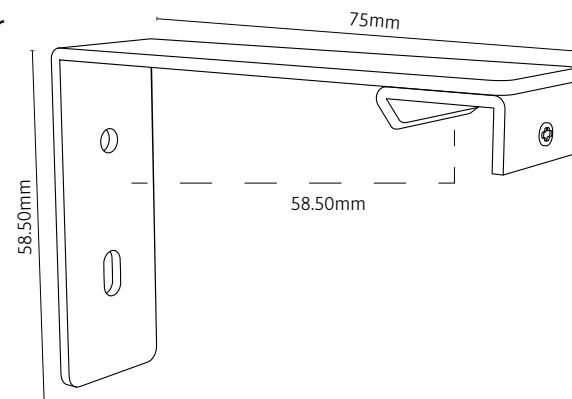


C-Track Wall Mount (C002)  
41.50mmx40.50mm

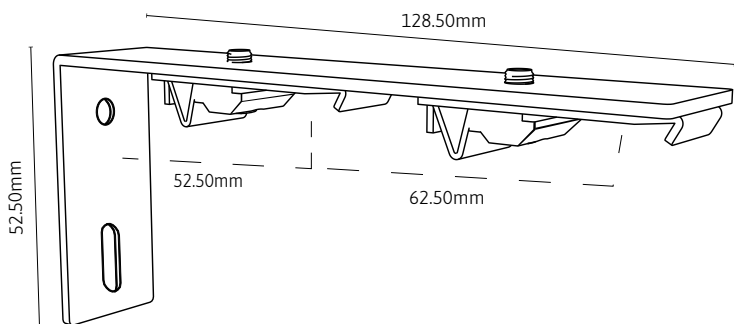
# OPTIONAL PARTS



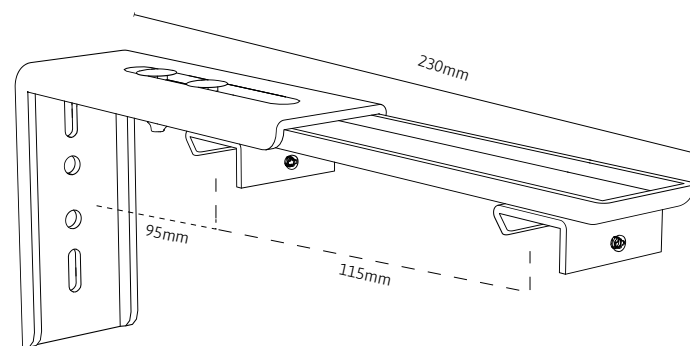
New M-Track Wall Holder  
**M008**



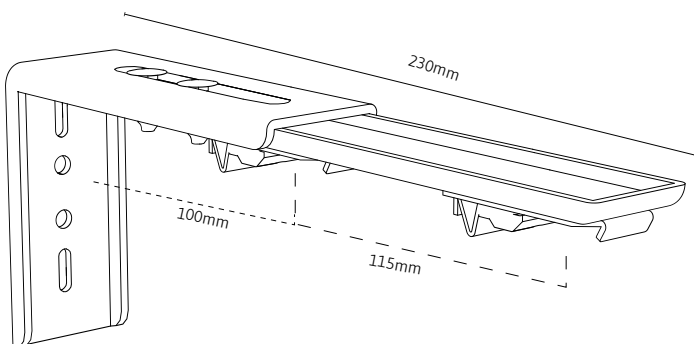
New Power Track  
Wall Holder  
**P009**



New M-Track 2-Track  
Wall Holder  
**M009**

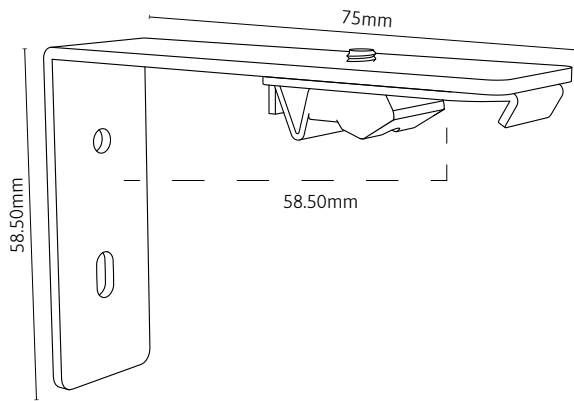


Ripple Double Track Wall  
Holder for Power Track  
**RDH-PT01**

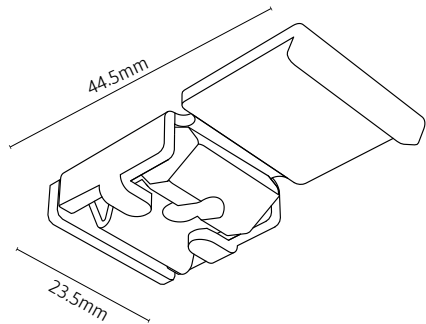


Ripple Double Track Wall  
Holder for M-Track  
**RDH-MT01**

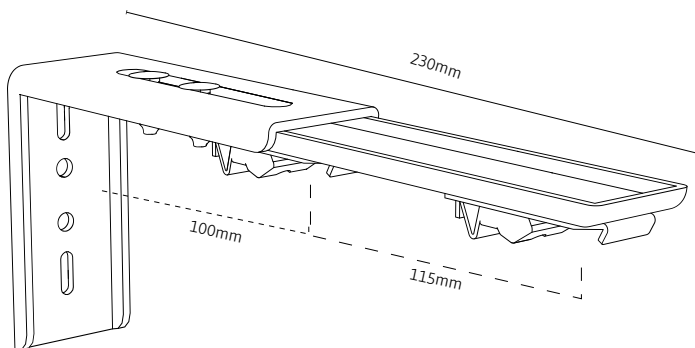
# OPTIONAL PARTS



New C-Track  
Wall Holder  
**C009**

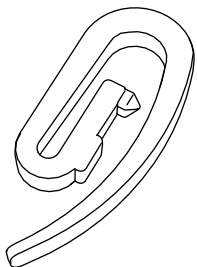


New C-Track Ceiling  
Holder  
**C010**

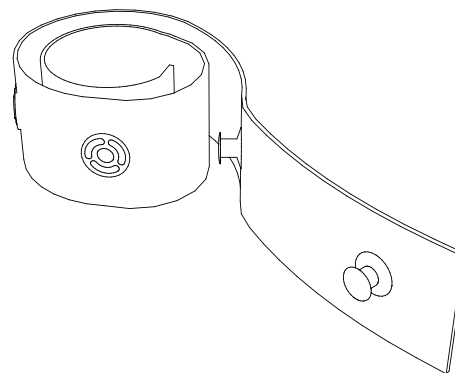


Ripple Double Track Wall  
Holder for C-Track  
**RDH-CT01**

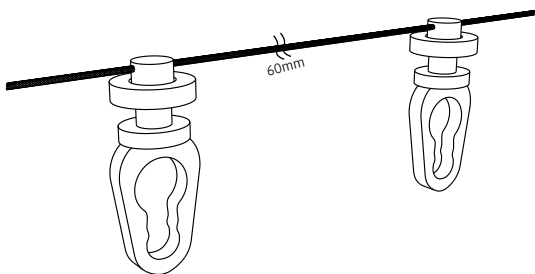
# OTHER ACCESSORIES



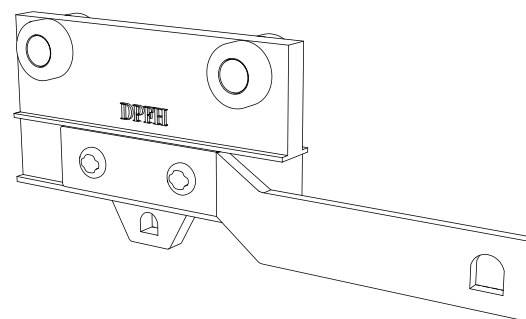
Curtain Hook  
**CH01**  
(Pack of 1000nos)



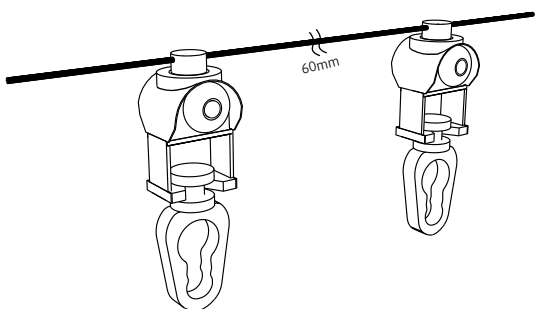
Curtain Tape 125mm  
**CT125**  
Per Roll: 50m



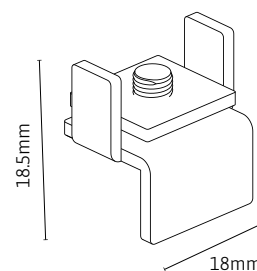
Friction Ripple Runner  
**FR02**  
Per Roll: 50m



Master Carrier  
**MC05**



Roller Ripple Runner  
**RR01**  
Per Roll: 50m



End Stops  
**ES04**

[www.dpfurnishings.com](http://www.dpfurnishings.com)

DPFH Private Limited  
Plot30/3, Liberty Business Park,  
Kansumra, Jamnagar Bypass Road,  
Jamnagar, Gujarat - 361006.

**DP**  
**FH**

®